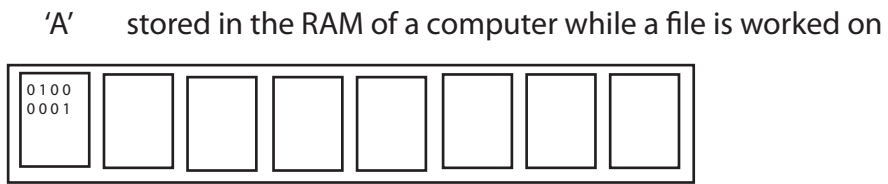
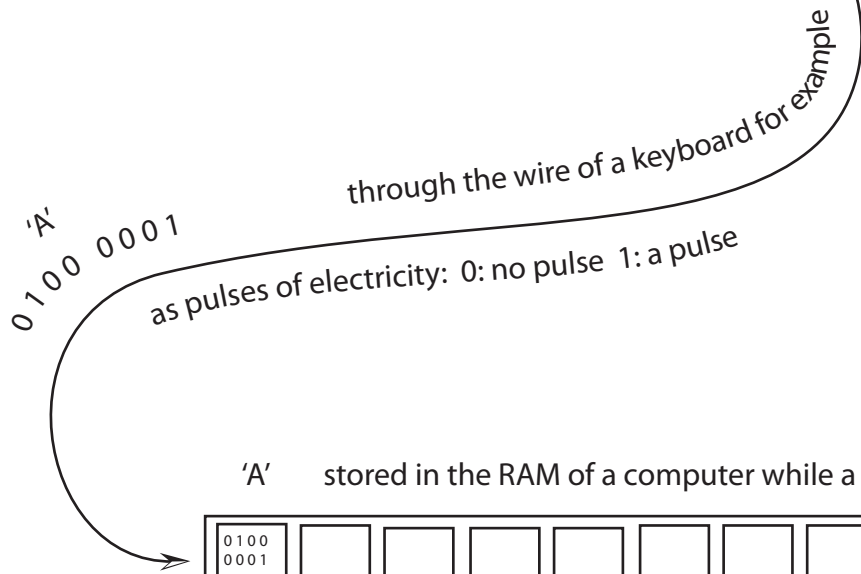


Notes from the white board on "How A Computer Works" Day 1

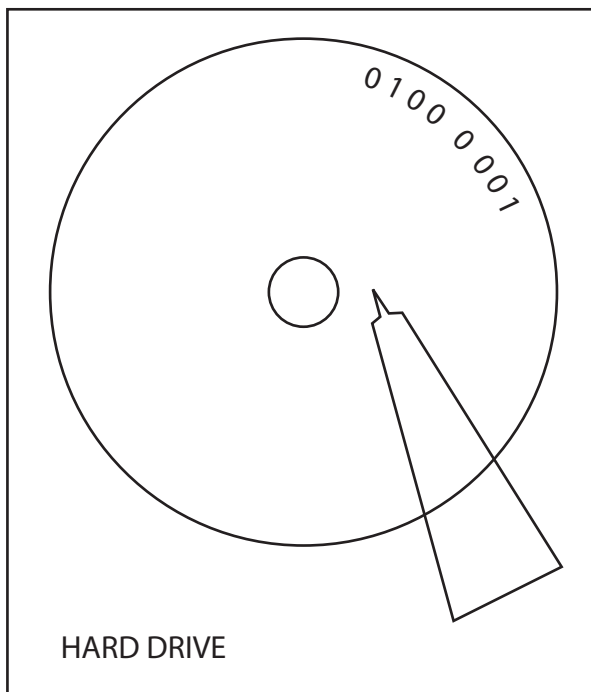
ASCII Code Set For Characters

'A' 0 100 0001  
'B' 0 100 0010  
'C' 0 100 0011  
... etc.  
(256 combinations of 0s and 1s: 256 characters)



in the form of circuits on and off: 0: on 1: off

Saving



'A' stored permanently on the hard drive of a computer

saved as tiny magnetic regions:  
0: a little magnetic, 1: more magnetic