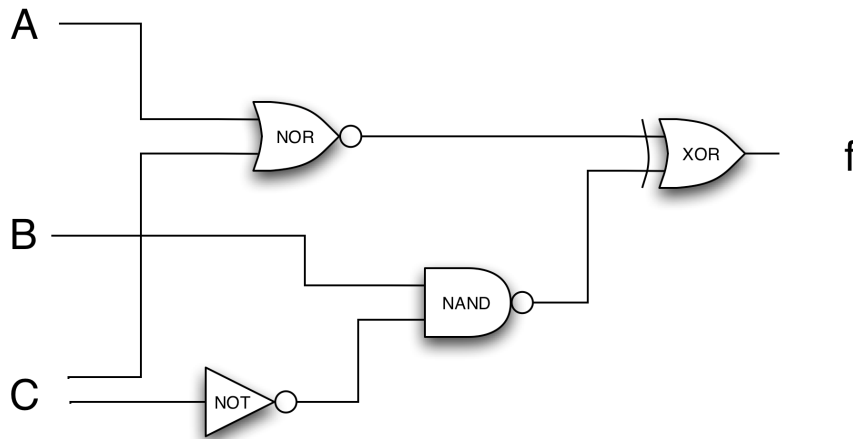


4.2.6 Construct a Boolean expression that corresponds to a given logic circuit.

JSR Notes:

Here's an example.

From the following logic circuit diagram, construct the equivalent Boolean expression.



Answer: $(\overline{A + C}) \oplus (\overline{B \cdot \overline{C}})$

Yeah, that one's a little tricky with the not inside the nand.